

Pegler Prestex bibtap M G1/2" (DN15)



group: 141HU **item:** 508037 **category:** taps

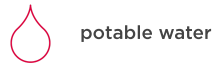
The Prestex 141HU is a brass bibtap with a male union connection. By using Prestex in your piping system you can install in easy to use heat free system. Prestex provides a piping suitable for domestic and light commercial applications.

- No need for use of naked flames
- Can be used on wet pipework
- Joints can be dismantled without adversely affecting performance
- Provided with all relevant approvals

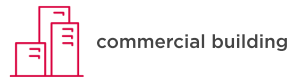
this article is part of a product group (141HU) that contains a total of 2 items

[view all 2 items](#) 

applications



segments



approvals

no approvals available

specifications - characteristics

color	brass
materials	brass (CW617N)
finishing	none
shape	Elbow (0°)
connection type	G - male thread gas cylindrical (BSPP), hose connector
pressure rating (PN)	PN 10
sealing	Rubber sealing

specifications - general

product group	taps (stop valves)
ETIM class	ECO11375 Water tap
HS code	84818019
brand	Pegler
series	Prestex Bibtap
product type	141HU
UNSPS	23241615

specifications - product info

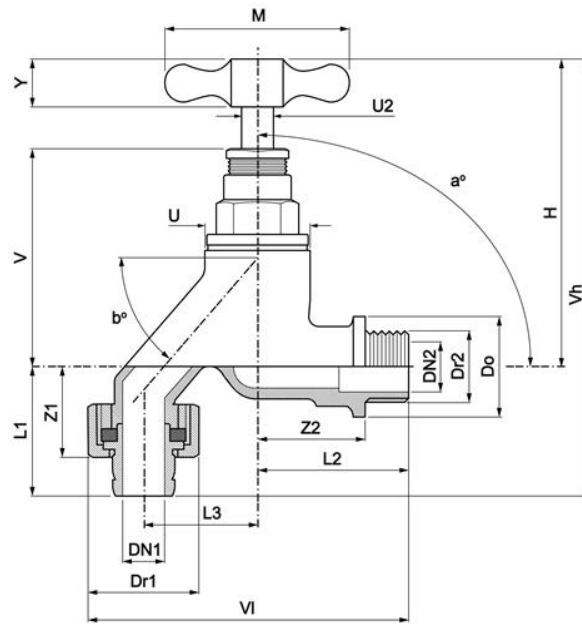
item	Pegler Prestex bibtap M G1/2" (DN15)
item number with gtin	508037 (05013866006296)
product number with gtin	508037 (05013866016288)
manufacturer	Aalberts integrated piping systems Ltd (Pegler)
item group	141HU - Brass Hose Union Bibtap BS 1010
size	G1/2"
weight	0.48 kg
dimensions	155x30x95 mm
packaging	box (10 pce)

specifications - technical

max operating pressure liquid	10 bar
max medium temperature	90 °C
peak medium temperature	90 °C

dimensions

DN1 angle	l1	z1	DN2	l2	z2	M1	M2	Y	V	U	D1
1/2" (DN15)	70	36	DN15	44	31	27	27	15	63	30	30
0											



sustainability

carbon footprint (A-C) embodied carbon 2.15kgCO₂e

data source TM65