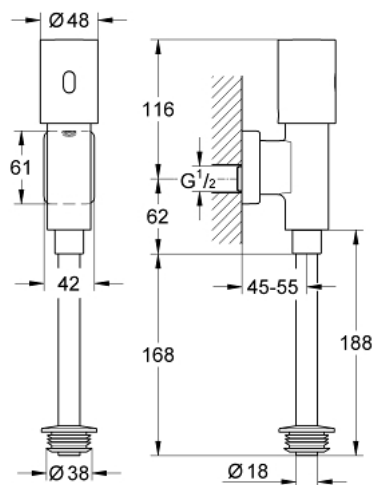


37 421 000 TECTRON RONDO INFRA-RED ELECTRONIC FOR URINAL

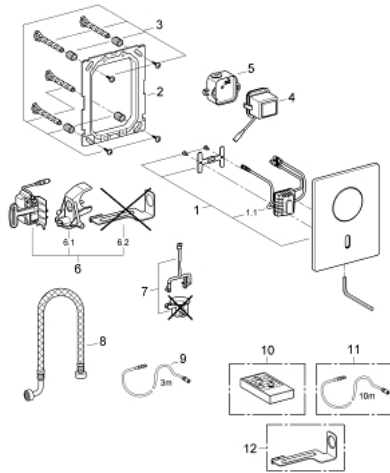


PRODUCT DESCRIPTION

- with infrared sensor for bi-directional communication for monitoring, configuration and service purpose
- 6V lithium battery, type CR-P2
- battery lifetime: approx. 7 years (150 actuations a day)
- GROHE StarLight finish
- metal housing
- exposed installation
- flow pressure min 0.5 bar
- operating pressure max 10 bar
- with integrated stop valve
- flush pipe with rubber connector
- multistage battery status display
- 7 pre-set programs:
 - auto flush
 - cleaning mode
 - pre-flush on/off
- additional functions and precise settings by remote control 36 407
- adjustable flow time by hand or remote
- CE approved



37 421 000 TECTRON RONDO INFRA-RED ELECTRONIC FOR URINAL



SPARE PARTS

- 1: set of screws (Order-nr. 42422000)
 - 2: Battery (Order-nr. 42886000)
 - 3: Piston (Order-nr. 42797000)
 - 3.1: Sleeve (Order-nr. 4376500M)
 - 4: Solenoid valve (Order-nr. 42438000)
 - 4.1: Transformer for mirror (Order-nr. 43581000)
 - 5: Supply stop (Order-nr. 43393000)
 - 6: Escutcheon (Order-nr. 66734000)
 - 7: Nut (Order-nr. 42344000)
 - 8: Urinal flush pipe (Order-nr. 37035000)
 - 9: Adapter for urinal (Order-nr. 43818000)
 - 10: Escutcheon (Order-nr. 37391000)*
 - 11: Escutcheon (Order-nr. 37391000)*
 - 12: Escutcheon (Order-nr. 37391000)*
- * Optional accessories