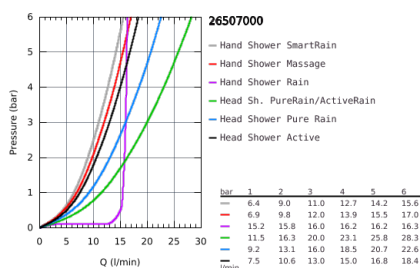
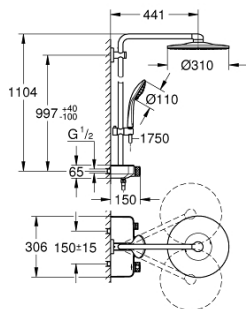


26 507 000 EUPHORIA SMARTCONTROL SYSTEM 310 DUO SHOWER SYSTEM WITH THERMOSTAT FOR WALL MOUNTING

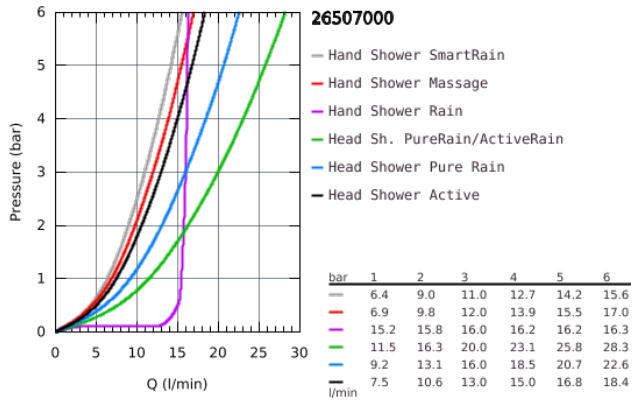


PRODUCT DESCRIPTION

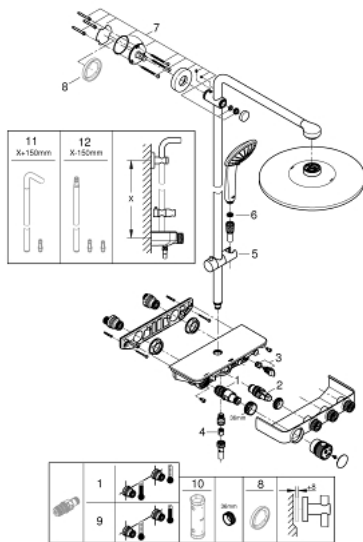
- Consisting of:
- horizontal 450 mm shower arm
- upper bracket adjustable for minimal adaption to existing drilling holes
- exposed SmartControl thermostat
- allows change between:
- head shower Rainshower SmartActive 310
- 2 spray patterns:
- GROHE PureRain, ActiveRain
- hand shower Euphoria 110 Massage, spray plate white (27 221 001)
- 3 spray patterns:
- Rain, SmartRain, Massage
- adjustable height via gliding element
- Silverflex shower hose 1750 mm (28 388 000)
- GROHE DreamSpray perfect spray pattern
- GROHE StarLight chrome finish
- GROHE CoolTouch prevents scalding on hot surfaces
- GROHE TurboStat compact cartridge with wax thermoelement
- GROHE ProGrip with knurl structure
- GROHE EcoJoy technology for less water and perfect flow
- - GROHE SafeStop at 38°C
- GROHE SafeStop Plus optional temperature limiter at 43°C included
- GROHE SmartControl push for ON-OFF, turn for volume adjustment from EcoJoy to full flow
- integrated GROHE EasyReach shower tray
- SpeedClean anti-limescale system
- Inner WaterGuide for a longer life
- Twistfree preventing the hose from twisting
- suitable for instantaneous heaters from 18 kW/h
- minimum flow rate 7 l/min.

Certificate NF - Classement E1/1 C1 A1 U3

26 507 000 **EUPHORIA SMARTCONTROL SYSTEM 310 DUO SHOWER SYSTEM WITH THERMOSTAT FOR WALL MOUNTING**



26 507 000 EUPHORIA SMARTCONTROL SYSTEM 310 DUO SHOWER SYSTEM WITH THERMOSTAT FOR WALL MOUNTING



SPARE PARTS, February 2019 – now

- 1: Thermostatic compact cartridge 1/2" (Order-nr. 47439000)
 - 2: Cartridge (Order-nr. 48297000)
 - 3: Non-return valve (Order-nr. 49069000)
 - 4: Non-return valve (Order-nr. 08565000)
 - 5: Sliding piece (Order-nr. 48177000)
 - 6: Strainer (Order-nr. 0700200M)
 - 7: Outlet shower holder (Order-nr. 48279000)
 - 8: Spacer (Order-nr. 27180000)*
 - 9: GROHE TurboStat cartridge 1/2" (Order-nr. 47175000)*
 - 10: Socket Spanner (Order-nr. 49059000)*
 - 11: Shower system pipe for retrofitting (Order-nr. 48497000)*
 - 12: Shower system pipe for retrofitting (Order-nr. 48498000)*
- * Optional accessories